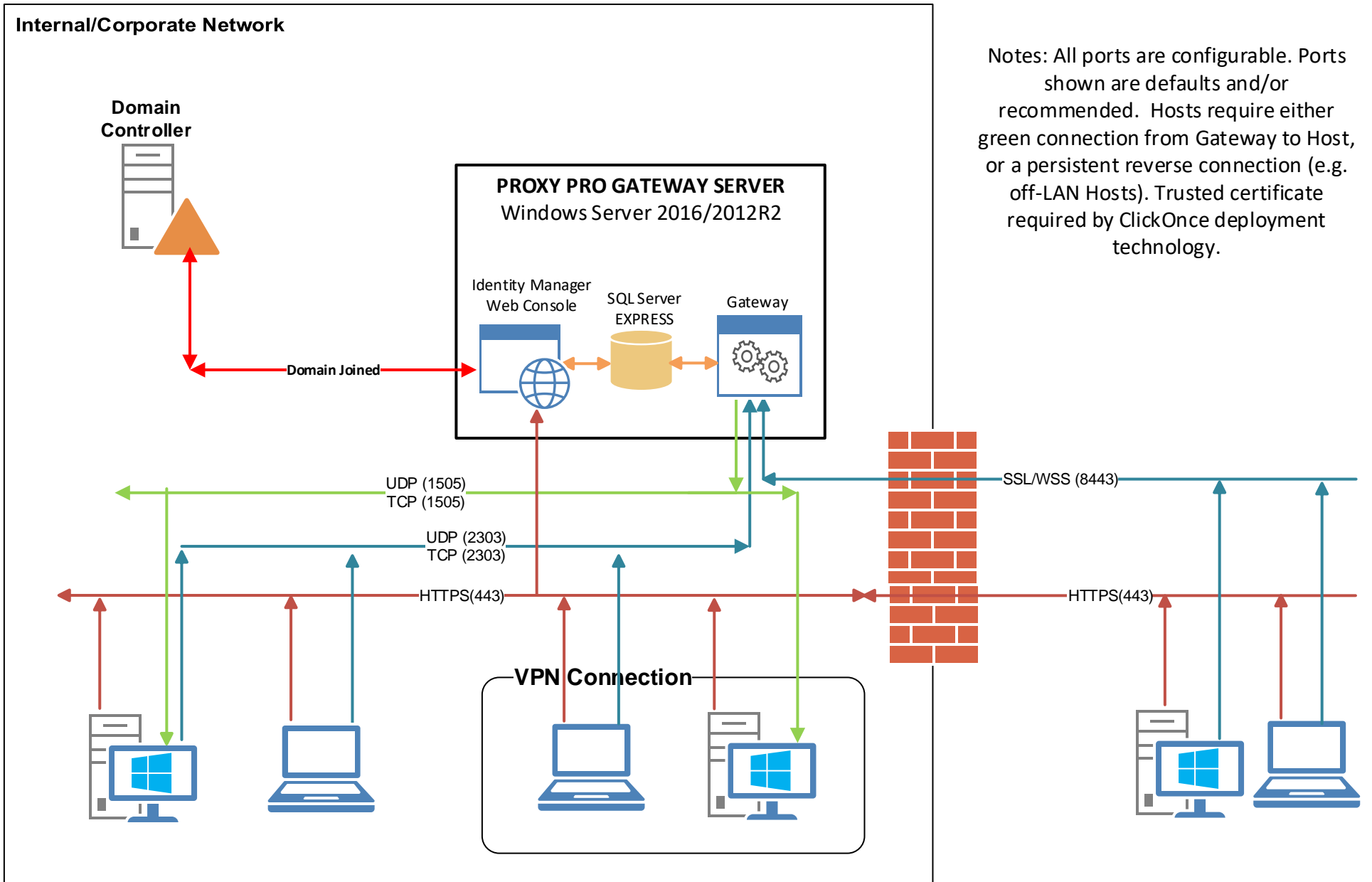


# PROXY Pro Private Cloud Edition

Internal and external access (Requires third party trusted certificate)



**Client access to Gateway Server:**  
 PROXY Pro Master / ClickOnce Master  
 PROXY Pro Host / Host On Demand  
 Web Console

**Client access to Identity Manager /Web Console:**  
 Microsoft IE/Edge  
 Google Chrome  
 Mozilla Firefox

**Gateway Server access to Hosts:**  
 Gateway -> Host connection for status reporting & services (in lieu of persistent reverse connection)

**Access to SQL Server:**  
 Gateway  
 Identity Manager  
 Web Console

**Authentication:**  
 Identity Manager